

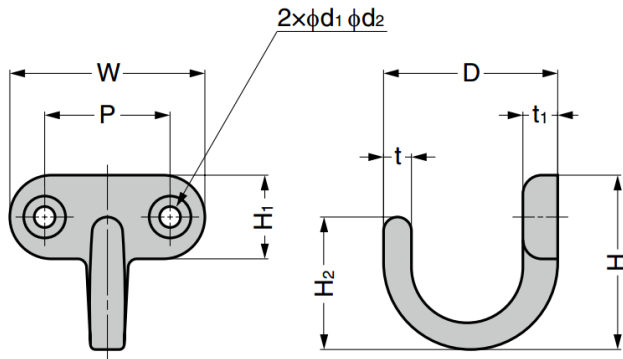
## GEP Stainless Steel Hook

### Material

- Stainless steel 304, polished

### Parts Included

- GEP-25:** Raised countersunk head wood screw 2.7×16 (SUS)
- GEP-40:** Raised countersunk head wood screw 3.8×20 (SUS)



Part No.	D	W	H	H <sub>1</sub>	H <sub>2</sub>	t <sub>1</sub>	t	P	d <sub>1</sub>	d <sub>2</sub>	Load Capacity	
GEP-25	25	28	25	12	19	5	4	18	3	6	240 N	24 kg
GEP-40	32	36	33	16	25	6	5	23	4	8		

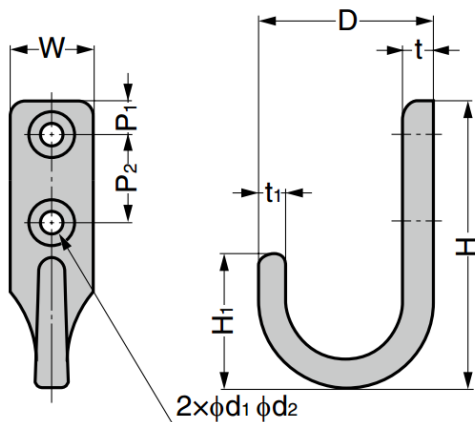
## GEL Stainless Steel Hook

### Material

- Stainless steel 304, polished

### Parts Included

- GEL-25:** Raised countersunk head wood screw 2.7×16 (SUS)
- GEL-30:** Raised countersunk head wood screw 3.8×20 (SUS)



Part No.	D	W	H	H <sub>1</sub>	t	t <sub>1</sub>	P <sub>1</sub>	P <sub>2</sub>	d <sub>1</sub>	d <sub>2</sub>	Load Capacity	
GEL-25	26	12	40	19	5.5	4	5	12	3	6	240 N	24 kg
GEL-30	32	15	54.5	25	6	5	6	16	4	8		